

## MICRO FLOOR WASTE TRAP

### MAXI WASTE & TWIST TOP

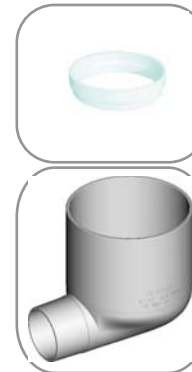
- WaterMark approved trap enables a direct to drain application to minimise height.
- Internal trap can be completely removed for cleaning purposes and to easily access waste pipe.
- Available in 100mm Twist Top or Adaptor versions with round or square grates.
- Overall height is significantly less than other traditional methods.

ID	⌀ mm	SHAPE	GRATE FINISH
<b>MAXI ADAPTOR</b>			
17071	100MM	ROUND	CHROME
17271	100MM	SQUARE	CHROME

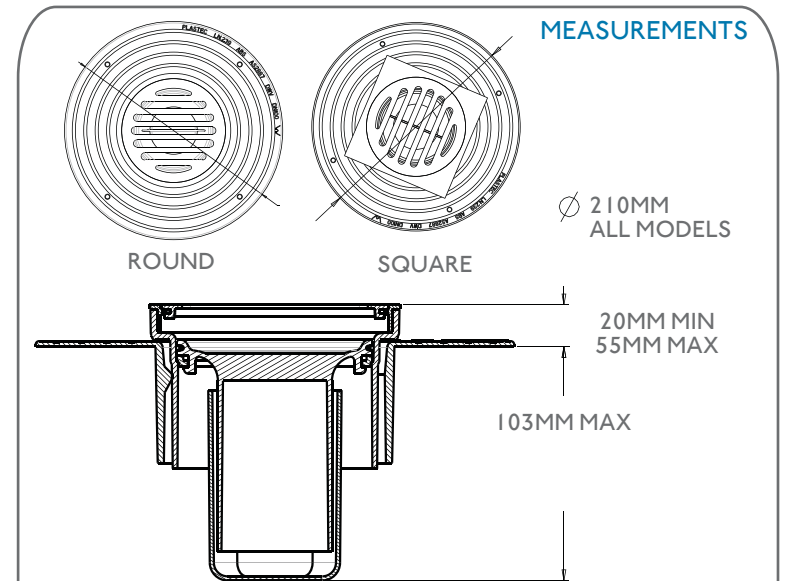
ID	⌀ mm	SHAPE	GRATE FINISH
<b>TWIST TOP</b>			
17073	100MM	ROUND	CHROME
17269	100MM	SQUARE	CHROME

#### OPTIONAL ACCESSORIES:

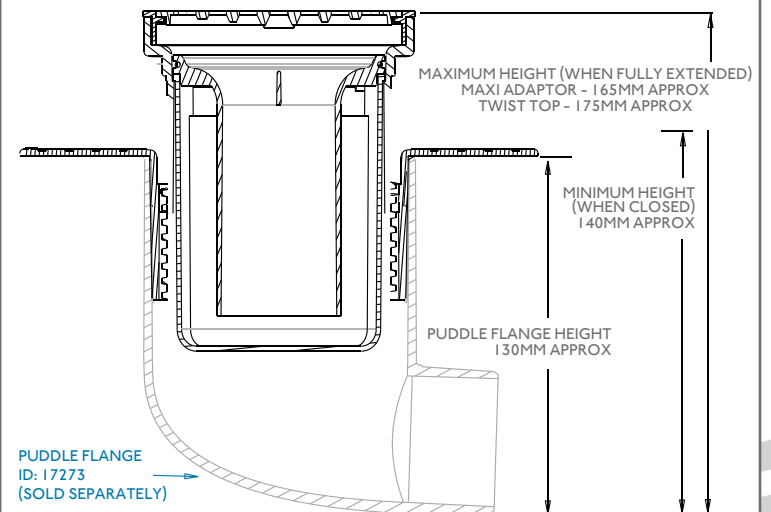
- ID 12493 TWIST TOP ADAPTOR EXTENSION - Allows the adaptor to be extended in height in multiples of 10mm.
- ID 17273 PUDDLE FLANGE ELBOW - All Micro Floor Waste Traps are specifically designed to suit this Puddle Flange 17273, however products may also be used with 12495 or 12497 if required.



ROUND SHAPE ILLUSTRATED ABOVE



#### EXTENSION MEASUREMENTS



NOTE: MEASUREMENTS PROVIDED ARE FOR USE WITH PLASTEC PUDDLE FLANGE ELBOW 17273. MEASUREMENTS WILL DIFFER IS USED WITH ANOTHER PUDDLE FLANGE ELBOW.