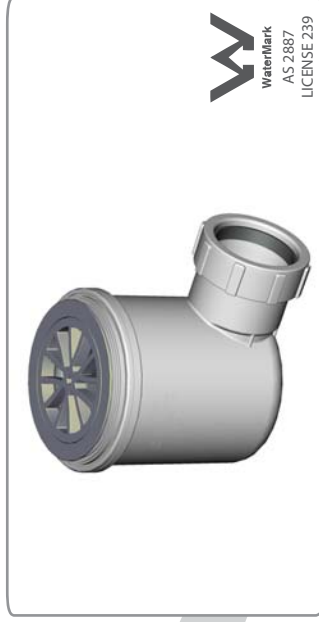


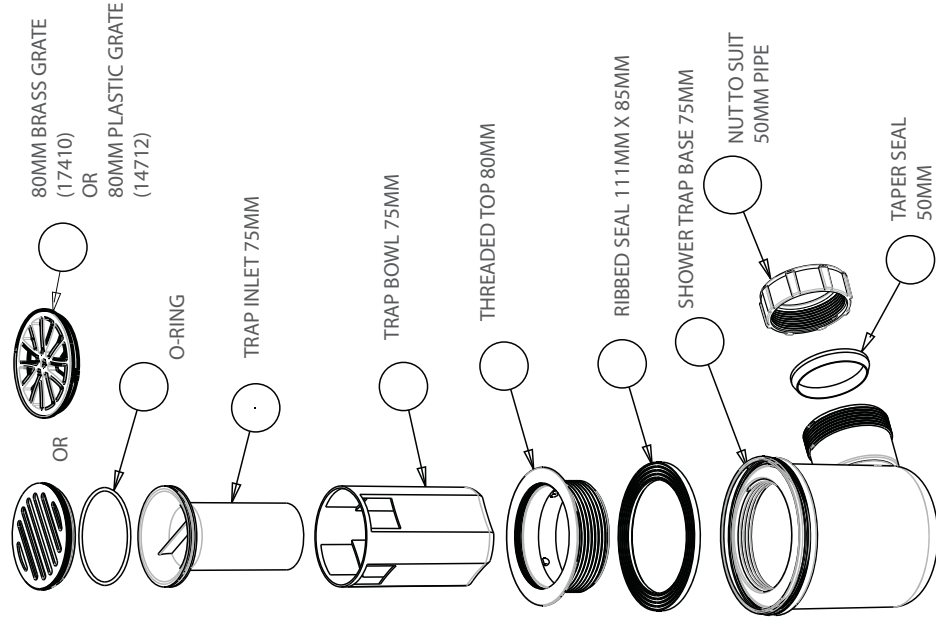
COMPLETE SHOWER TRAP 80MM X 50MM PRODUCT ID: 17410 & 17412

- When installed as per AS/NZS 3500 this trap provides a perfect direct to drain installation.
- Chrome plated brass or plastic grate.
- 50mm joint outlet can be either mechanically joined or solvent welded.
- Trap completely removable after installation.
- Reduced height over traditional methods.

ID		GRATE FINISH
17410	80 x 50	CHROME BRASS
17412	80 x 50	CHROME PLASTIC



W
WaterMark
AS 2887
LICENSE 239



MEASUREMENTS (MM)

