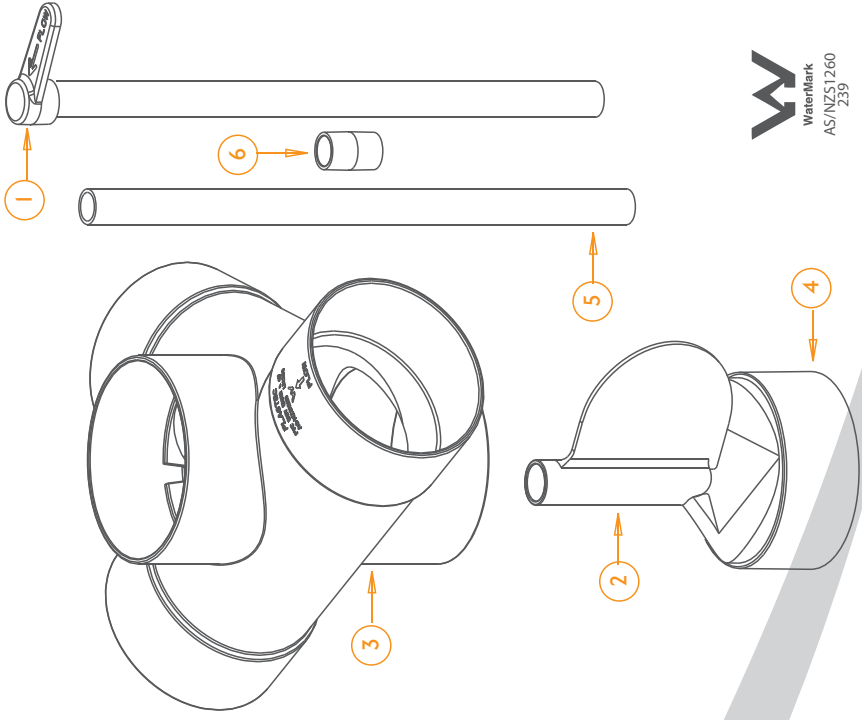


EFFLUENT DIVERTER

Can be used for either left or right applications.



ID	Ø mm	mm	4
17750	100	100	4

Comes complete with:

1. Effluent Diverter Handle Top & Extension Assembly
2. Effluent Diverter Flap 100mm
3. Effluent Diverter Body 100mm
4. Effluent Diverter Flap Base 100mm
5. Effluent Diverter Handle Extension 350mm
6. Handle Extension Conduit Joiner 20mm



MEASUREMENTS (MM)

