



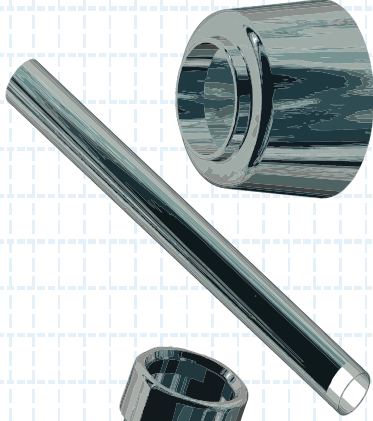
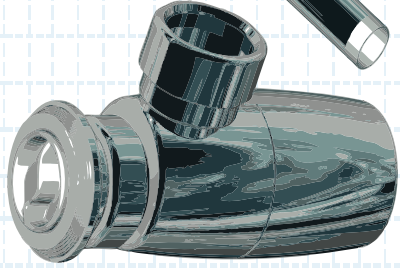
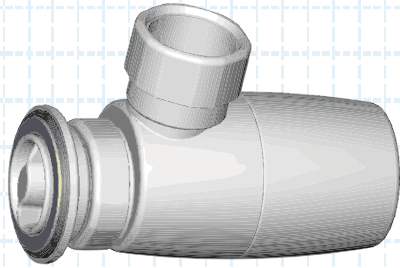
PLASTEC

PRODUCT SPECIFICATIONS

TRAPS & ACCESSORIES

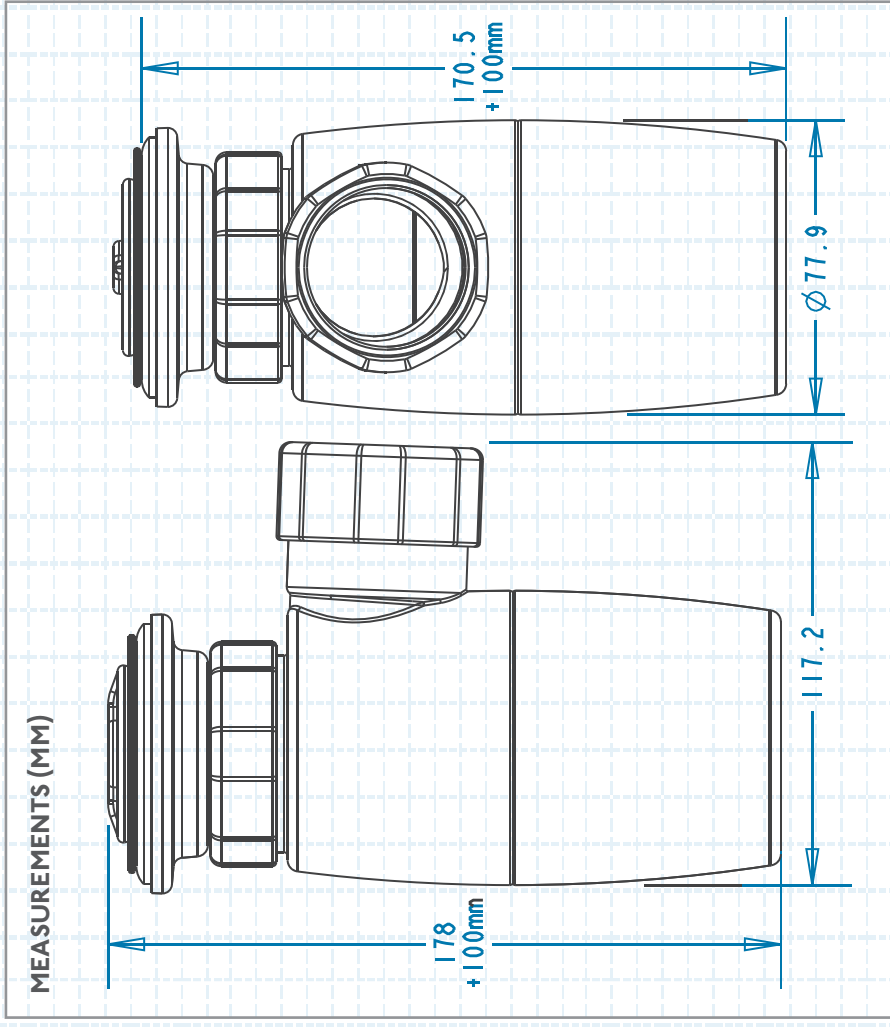
PLUG & WASTE BOTTLE TRAPS

- Available in white and chrome plated. *Chrome only available for purchase as a complete kit. Kit includes chrome bottle trap, chrome raised flange and chrome 450mm length pipe
- Also available in Loose Nut and Pop-Up.



ID	FINISH	BAG QTY	MEASUREMENT (MM)
White 17423	White	40	18

ID	FINISH	BAG QTY	MEASUREMENT (MM)
Chrome Kit 17630	Chrome	40	14
Includes:			
• 1 x 17424 Chrome Bottle Trap.			
• 1 x 17461 40mm Chrome Raised Cover Flange			
• 1 x 16699 40mm Chrome 450mm Length Pipe			



Watermark
AS 2887

PH: 07 5413 4444 WWW.PLASTEC.COM.AU

DETAILS CORRECT AT TIME OF PRINTING (12.04.16), BUT IS SUBJECT TO CHANGE

