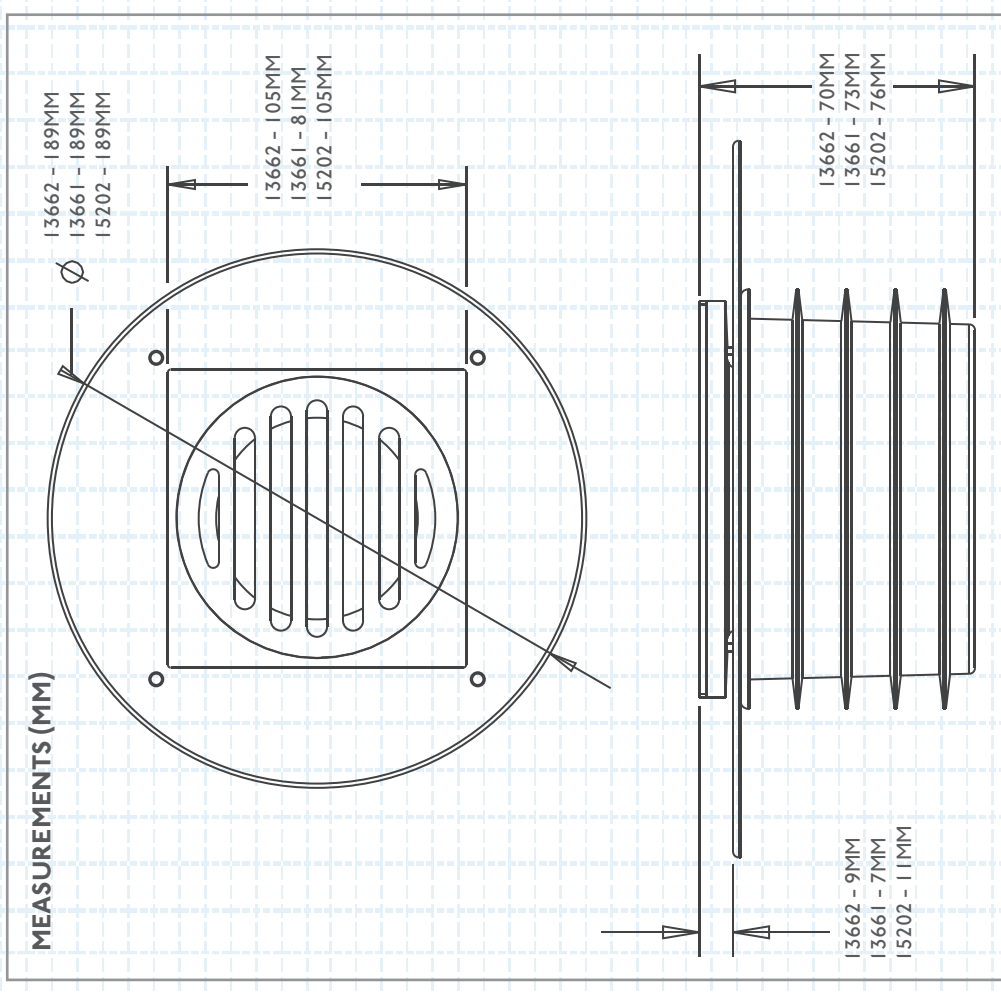


MAXI WASTE SWIVEL SYSTEM

# FLEXI FIN - SQUARE



## PRODUCT SPECIFICATIONS



ID	GRATE	SUIT
<b>HDPE/Cu</b>		
13661	Chrome	HDPE/Cu 30
15202	Chrome	HDPE/Cu 20

ID	GRATE	SUIT
<b>DWV</b>		
13662	Chrome	DWV 20

### RELATED PRODUCTS

- Round also available, please contact Plastec for more information.