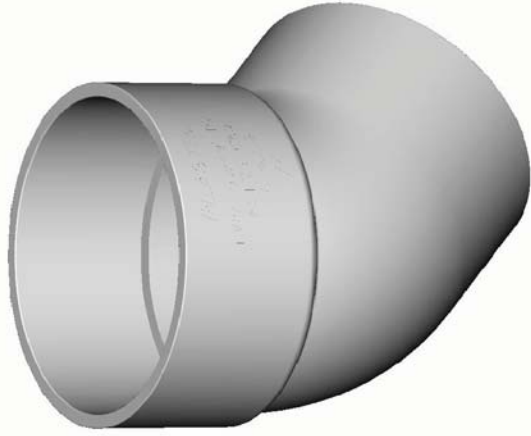


HEAVY DUTY BENDS - M/F - 45 DEGREES



- Increased wall thickness for additional support
- Suitable for use in reactive soils
- Outlet of elbow glues into socket

ID	INLET	OUTLET	MAX. EXPANSION
18781	100 Socket	100 Socket	45
18842	150 Socket	150 Socket	45

Related Products:

- Female/Female also available.
- Regular DWV Bends also available.

