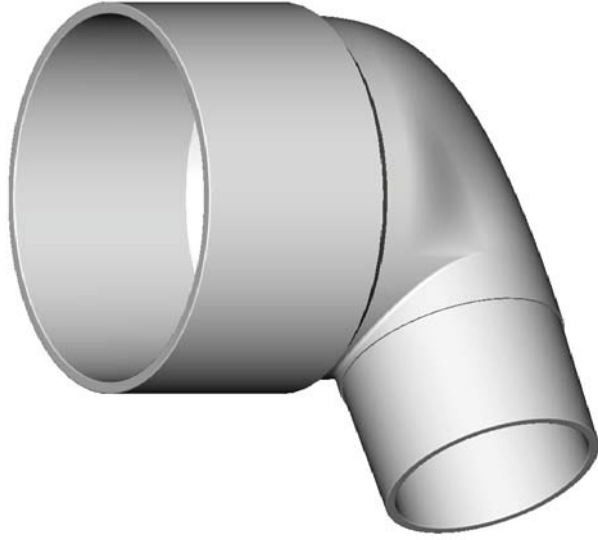


LEAK CONTROL SYSTEMS

# PUDDLE FLANGE ELBOWS: SOCKET INLET

- Ideal for connection to Floor Wastes under suspended concrete floors (inlet socket and outlet spigot)
- Pipe Size Inlet versions also available



ID	Ø	BAG QTY	CARTON QTY
12496	80 x 50	80	80
12497	100 x 50	48	48

