



“ Ideal
for running
pipework ”

Four Way Risers

Regular & Extended Options Available

Plastec offers a complete range of both regular as well as extended four way risers. Built from quality, heavy duty PVC our four ways risers come in a range of sizes to suit all your plumbing needs.



Extended lengths are ideal for running pipe work above the trap crown.



Dual options available to accommodate both 40mm and 50mm pipe, eliminating the need for reducers.



Range of sizes available.



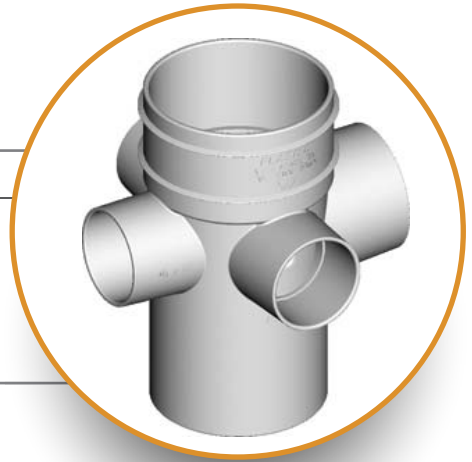
Four Way Risers

Regular & Extended Options Available

Regular

Designed for ease of installation where an adaptor will be utilised.

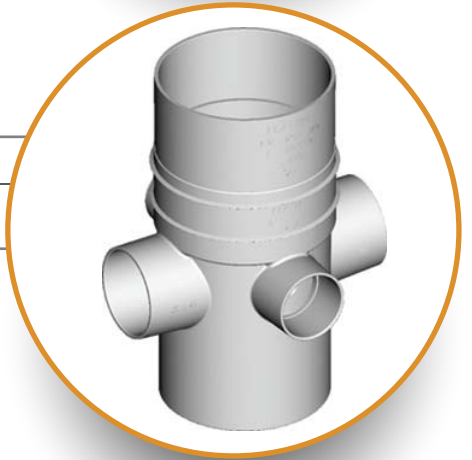
ID	Ø	Ø INLET
17116	80	50 x 40 x 40 x 40
17118	100	50 x 50 x 40 x 40
17232	80	50 x 40 x 50 x 40
17233	100	50 x 50 x 50 x 40



Extended

Designed specifically to accommodate required minimum fall requirements when installing with puddle flanges and floor waste gullies (commonly used on commercial projects).

ID	Ø	Ø INLET
18964	100	50 x 50 x 50 x 40



Extended Dual

Designed to accommodate both 40mm and 50mm pipe, eliminating the need for reducers.

ID	Ø	Ø INLET
17117	80	50 x 40 x 40 x 40
17119	100	50 x 50 x 40 x 40

