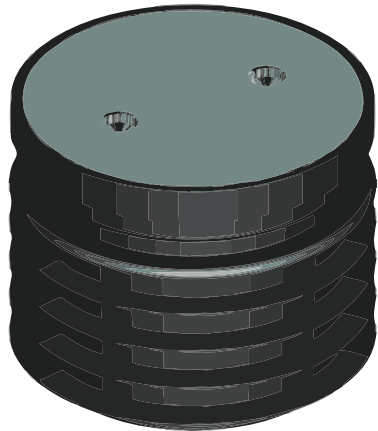


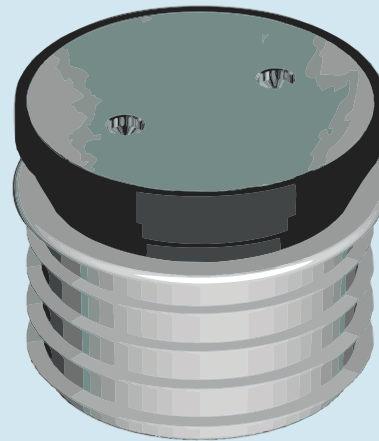
PRODUCT SPECIFICATIONS



FLEXI FIN CLEAR OUT CHROME BRASS LID



- Quick and easy installation.
- No solvent welding required.
- Gas tight seal.



RELATED PRODUCTS:
ALSO AVAILABLE IN HDPE:

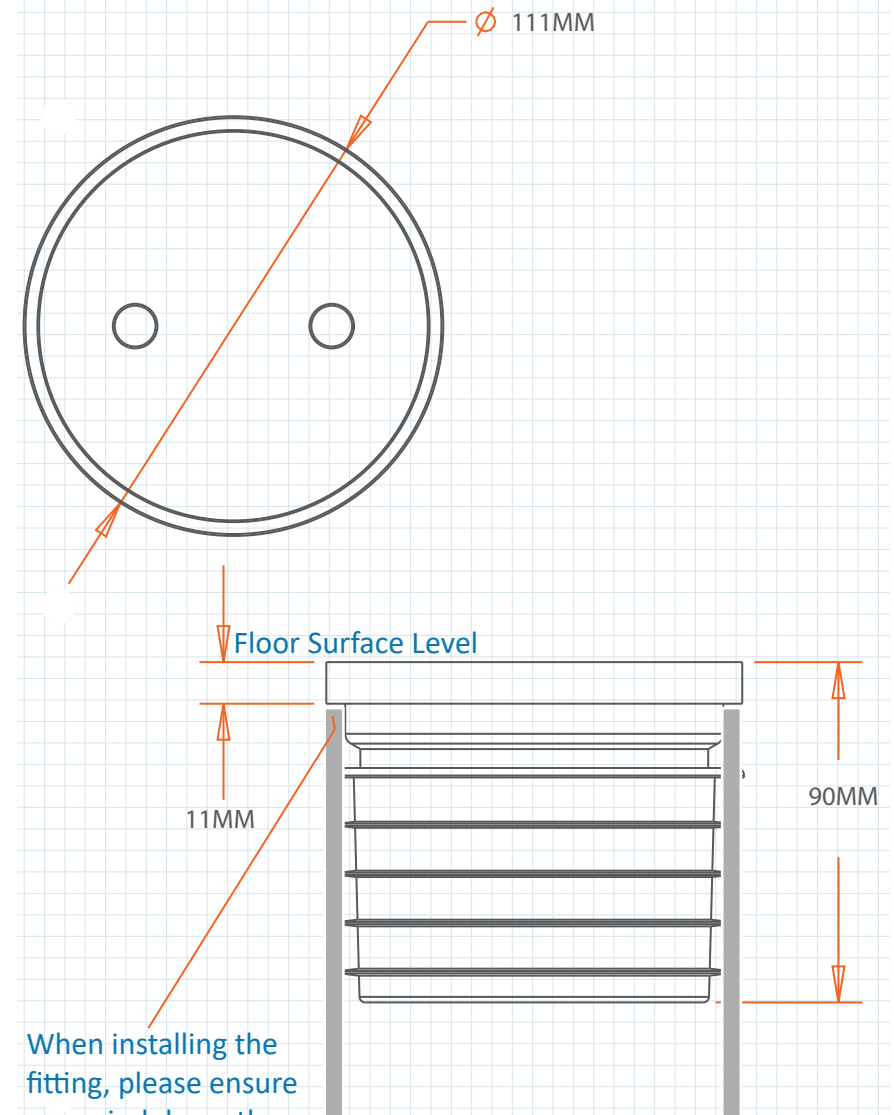


ID	 mm	FINISH	
DWV 18660	100	CHROME BRASS	36

ID	 mm	FINISH	
HDPE 18162	100	CHROME BRASS	36



MEASUREMENTS (MM)



When installing the fitting, please ensure you grind down the DWV/HDPE pipe. This provides a proud surface finish to the installation



REUSE
RECYCLE

PLASTEC AUSTRALIA
ENCOURAGES THE REUSE
AND RECYCLE OF ALL OUR
PACKAGING MATERIALS
WHERE EVER POSSIBLE

DETAILS CORRECT AS AT 02/06/2020, BUT IS SUBJECT TO CHANGE WITHOUT NOTICE

www.plastec.com.au