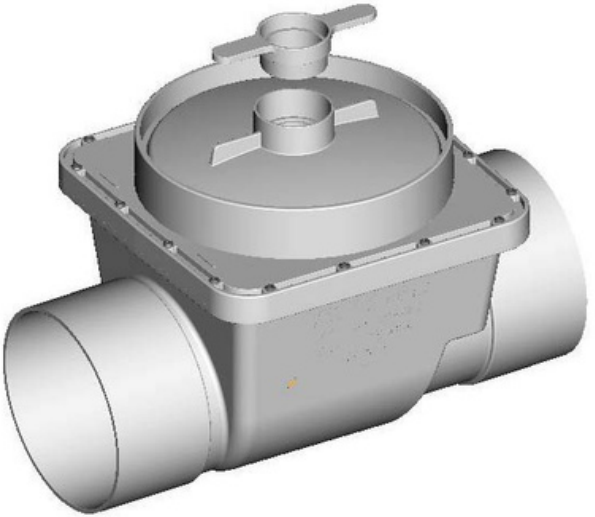




PRODUCT SPECIFICATIONS

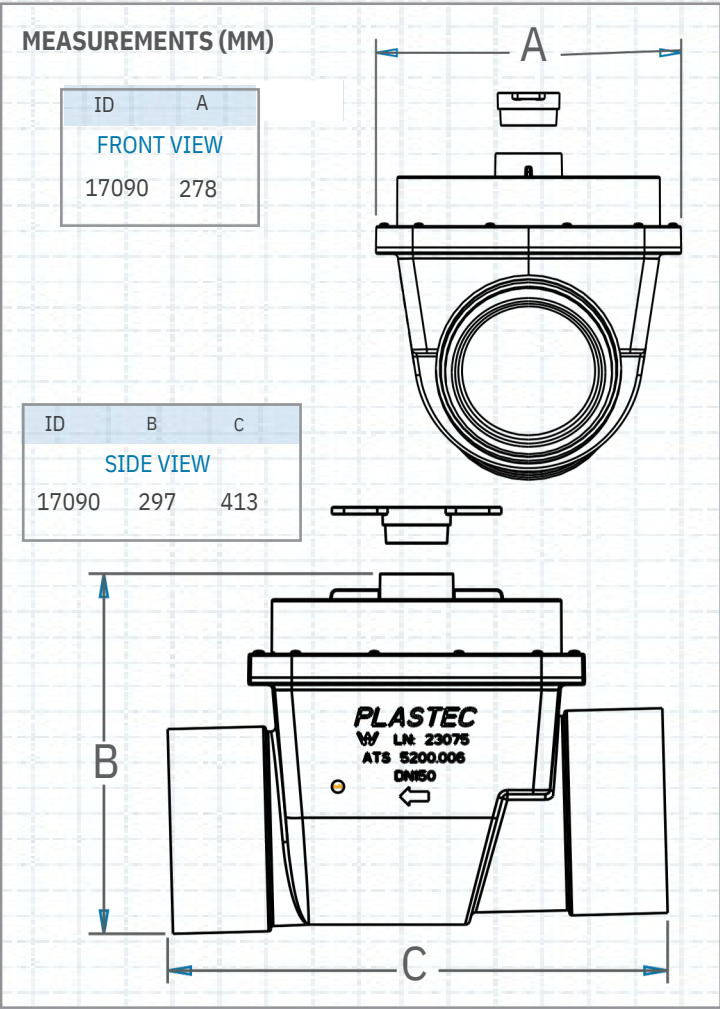
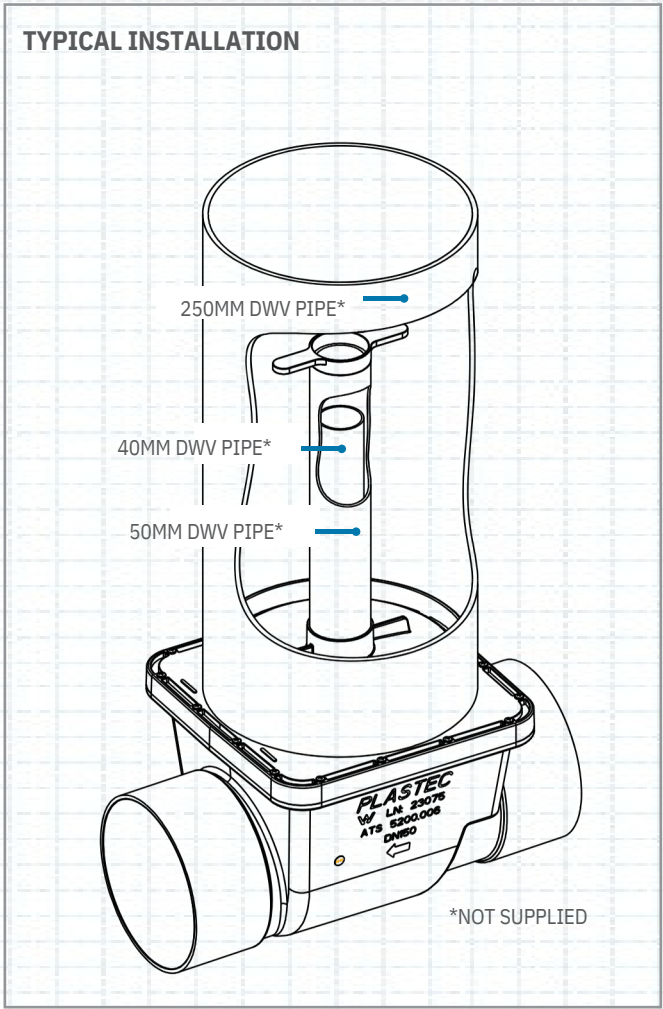
DRAIN WASTE VENT (DWV) REFLUX VALVE 150mm

- No need for additional chamber
- Easy access for replacement of flap assembly
- Adjustable riser height
- Helps prevent rodents entering through pipes



ID		
17090	150	1

RELATED PRODUCTS (sold separately)
225mm Bolted Trap Screw (BTS) 18111



WaterMark
WMTS006:2014
PH: 07 5413 4444 WWW.PLASTEC.COM.AU

SPECIFICATIONS ARE CORRECT AS AT 10/02/2026 BUT ARE SUBJECT TO CHANGE AT ANYTIME WITHOUT NOTICE.