

**NEW!**



**PLASTEC**  
INNOVATIVE PLUMBING SOLUTIONS

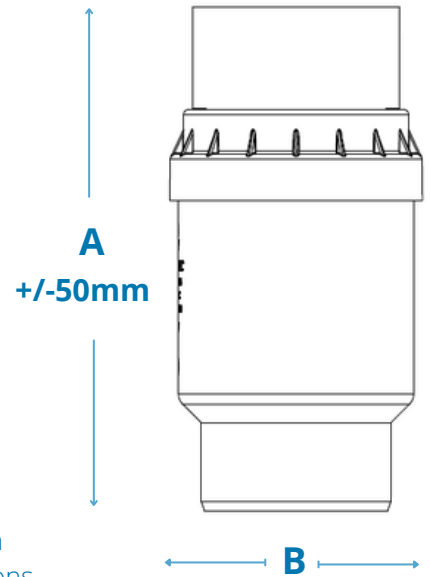
# 100MM TRAVEL EXPANDER JOINTS



## Expander Joint 100x100

ID	∅	A	B	⚙️	📦
20638	100	293	147	Socket Pipe	5
20640	100	299	147	Socket Socket	5
20642	100	296	147	Socket In-pipe	5

- Solvent Weld
- 100mm Total Travel
- Heavy Duty
- Above & Below Ground Applications
- Suitable for H1, H2 and E soil classification
- Ideal for vertical riser under slab installations



Witness mark indicates mid position of its range

Height 400mm  
Well within the maximum 600mm required as per AS3500

**Total Travel 100mm +/-50mm**



When installed in accordance to AS2870 and Appendix G in AS3500, Plastec's range of flexible joints provide all the articulation requirements to risk proof your drainage and stormwater systems

