



PRODUCT SPECIFICATIONS

DRAIN WASTE VENT (DWV)

REFLUX VALVE 100mm

- No need for additional chamber
- Easy access for replacement of non-return assembly
- Adjustable riser height
- Helps prevent rodents entering through pipes

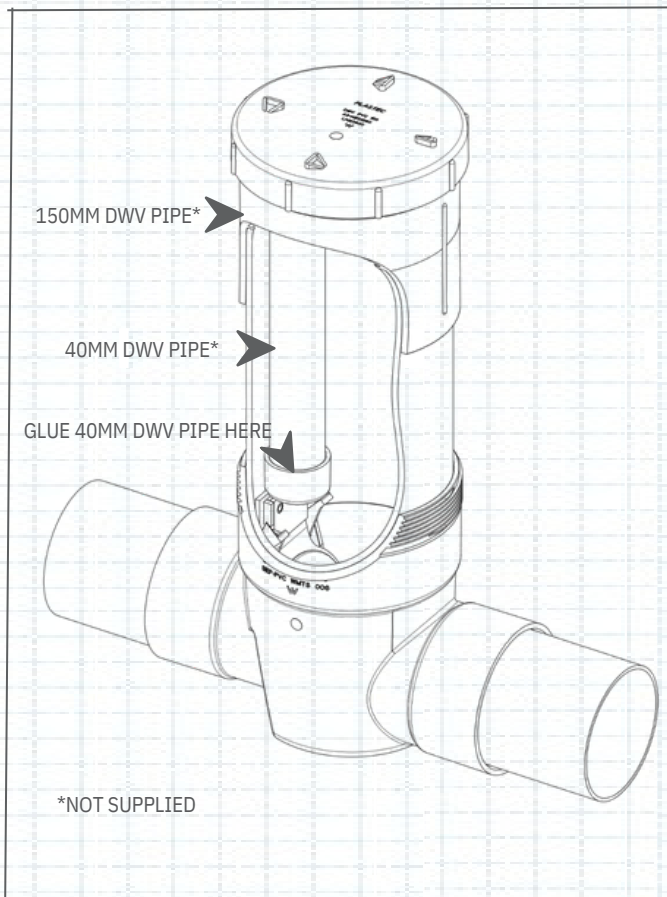


ID		
20779	100	8

RELATED PRODUCTS (sold separately)
150mm Bolted Trap Screw (BTS) 17097



TYPICAL INSTALLATION



MEASUREMENTS (MM)

ID	A
20779	174

FRONT VIEW

ID	B	C
20779	225	300

SIDE VIEW

